

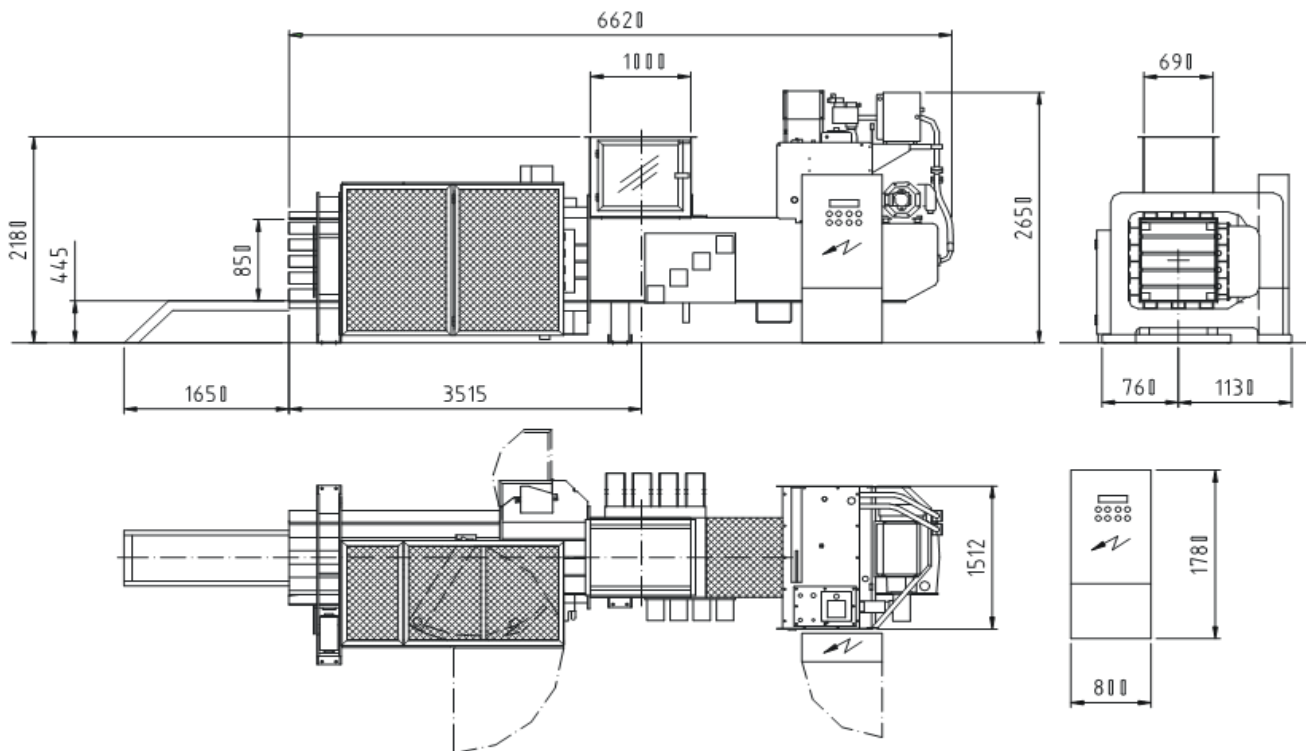
Baler, hydraulic presse PRESONA LP40 OH1, suitable for PET bottles

Technical specification

Max. pressure:	40 tons	Year of production:	2007
Unit pressure:	63 tons/m ²	Weight:	ca. 7,6 tons
Bale weight:	300-400 kg/m ³	Oil tank:	600l
Supply:	400 V/ 15 kW	Bale tying:	automatic wire, 4 horizontal

- Open charging hole allows the filling with the conveyor belt.
- Automatic regulation of the light of the channel
- Automatic bale tying with the wire
- Choosing the length of the finished bale from the operator panel
- Pressing plate which is stable carried

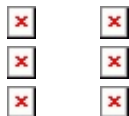
Dimension:





Zdjęcia poglądowe

Nasze instalacje



Masz pytania zadzwoń +48 33 816 01 69
Więcej maszyn na www.belowniceuzywane.pl

ARTechnic
ul. Gen. St. Maczka 9
43-300 Bielsko-Biała, POLAND

INFOLINIA: 801 000 816
tel.: +48 33 816 01 69
fax: +48 33 443 20 46

www.artechnic.pl
www.belowniceuzywane.pl
biuro@artechnic.pl